

BKON

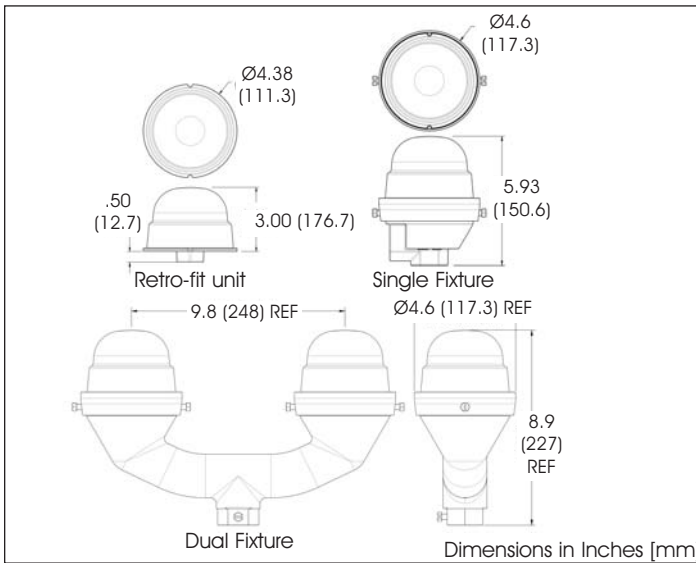
Guiding the Way



Patents Pending

L810 Infrared (IR) LED Obstruction Lights

for use with Aviator Night Vision Goggles



Certifications & Ratings

- FAA AC NO: 150/5345-43F
- FAA Engineering Brief No. 67
- IP65 / IP66 / NEMA 4X

Qualified by

- Intertek ETL

Features & Benefits

- 5 year full performance warranty
- Available in 120-240 VAC and 12-48 VDC
- Simple retro-fit using existing wiring and housing
- Weather/corrosion resistant lamp assembly and housing
- Self-contained wiring compartment eliminates additional boxes
- Threaded 1" and 3/4" bottom hub for mounting
- Can be operated steady or flashed
- Uses 95% less energy than incandescent
- Resistant to shock and vibration

Application:

The BKON Series L-810 RTO Infrared (IR) obstruction light incorporates both Red and IR LEDs in a single unit to ensure visibility around military bases, airfield perimeters, buildings, towers and other obstructions for aircraft pilots, both during normal flight or when aided by night vision systems. Night Vision Goggles (NVGs) and Aviator's Night Vision Imaging System (ANVIS) often employ Class A, B, and C filters. These filters can reduce the responsivity to light in the visible spectrum. The Vigilant IR Series overcomes this obstacle by combining visible red LEDs and IR LEDs in a single unit.

The BKON RTO Series obstruction light utilizes a unique optical, electrical, and mechanical design. The RTO is the most universal, compact, and efficient obstruction light in the world. These products have been ETL Certified to the FAA requirements. Also available as a single fixture for direct replacement of incandescent lamp/lens technology.

Mechanical Information

Container Dimensions:	7.60" x 5.25" x 5.75" (Retro Unit) 193mm x 133mm x 146mm
	7.60" x 5.25" x 5.75" (Single Unit) 193mm x 133mm x 146mm
	18.6" x 12.5" x 6.40" (Dual Unit) 472mm x 318mm x 163mm
Container Weight:	1.25lbs (Retro Unit) 2.00lbs (Single Unit) 4.60lbs (Dual Unit)

Electrical specifications

Supply Voltage Ranges:	Nominal +/- 10%
Nominal Input Power:	5.5W (FAA - 120-240 V AC Units) 5.0W (FAA - 12-48 V DC Units)
IR Intensity:	9000 mW/sr at 860 nm
Power Factor:	>0.9 (All AC units)
Operating Temp:	-40°F to +131°F (-40°C to +55°C)

All values typical unless otherwise stated

Order Codes:

Part Number	Description	Voltage
RTOCR07001	Single fixture	120-240 VAC
RTOCR08001	Single fixture	12-48 VDC
RTOCR07002	Dual fixture	120-240 VAC
RTOCR08002	Dual fixture	12-48 VDC
RTOCR07004	Single retro-fit fixture	120-240 VAC
RTOCR08004	Single retro-fit fixture	12-48 VDC