



Guiding the Way



Meets:

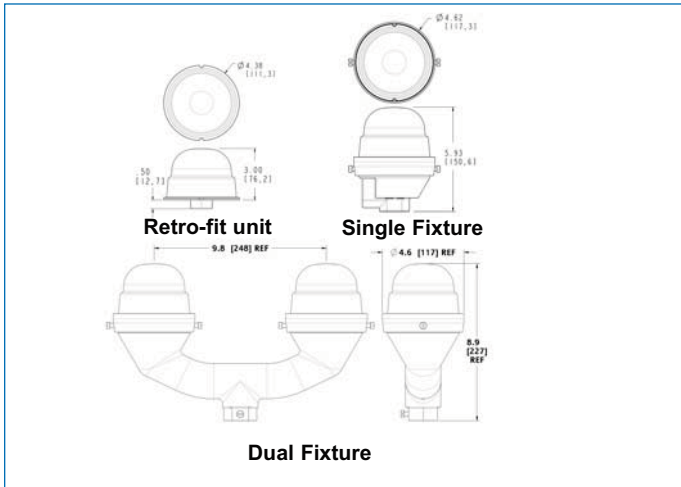
- FAA AC NO: 150/5345-43F
- FAA Engineering Brief No. 67
- ICAO Annex 14, 4th Edition, July 2004
- ICAO Aerodromes Design Manual, Chapter 18
- Canadian Aviation Regulation CAR 621.9
- Nachrichten für Luffahrer Teil I Langen, 6. Januar 2005
- German Air Traffic Control Notices For Pilots Part I 6, January 2005

Qualified By:

- Intertek ETL
- Lighting Sciences Canada
- DGAC Mexico

Patents Pending

L810 RTO Series Red LED Obstruction Lights



Dimensions in Inches [mm]

Features & Benefits:

- ▷ Available as a single, dual or retro-fit unit
- ▷ Available in 120 - 277 VAC and 12 - 48 VDC
- ▷ Grounding terminals provided
- ▷ Unique optical design (patent pending)
- ▷ Advanced high-flux LED technology
- ▷ Lasts years longer than an incandescent
- ▷ Weather/corrosion resistant lamp assembly and housing
- ▷ Self-contained wiring compartment eliminates additional boxes
- ▷ Threaded 1" and 3/4" bottom hub for mounting
- ▷ Can be operated steady or flashed
- ▷ Uses 95% less energy than incandescent
- ▷ 5 year warranty
- ▷ Resistant to shock and vibration
- ▷ IP65 / IP66 / NEMA 4X

Application:

The RTO Series obstruction light utilizes a unique optical, electrical and mechanical design. The RTO series is the most universal, compact and efficient obstruction light in the world. ETL Certified to the FAA requirements, the RTO series fixture is also ICAO and Transport Canada compliant. Also available as a single fixture for direct replacement of incandescent lamp/lens technology.

Order codes:

- RTO-1R07-001 Single Fixture, FAA, 120-230 VAC
- RTO-6R07-001 Single Fixture, TC, 120-230 VAC
- RTO-1R06-001 Single Fixture, FAA, 277 VAC
- RTO-1R08-001 Single Fixture, FAA, 12-48 VDC
- RTO-1R07-001-EU Single Fixture, European Ver, 120-230 VAC
- RTO-1R07-002 Dual Fixture, FAA, 120-230 VAC
- RTO-6R07-002 Dual Fixture, TC, 120-230 VAC
- RTO-1R06-002 Dual Fixture, FAA, 277 VAC
- RTO-1R08-002 Dual Fixture, FAA, 12-48 VDC
- RTO-1R07-002-EU Dual Fixture, European Ver, 120-230 VAC
- RTO-1R07-004 Single Retro-Fit Fixture, FAA, 120-230 VAC
- RTO-6R07-004 Single Retro-Fit Fixture, TC, 120-230 VAC
- RTO-1R06-004 Single Retro-Fit Fixture, FAA, 277 VAC
- RTO-1R08-004 Single Retro-Fit Fixture, FAA, 12-48 VDC
- RTO-1R07-004-EU Single Retro-Fit Fixture, European Ver, 120-230 VAC

Container Dimensions: 7.60" x 5.25" x 5.75" (Retro Unit)
193mm x 133mm x 146mm

7.60" x 5.25" x 5.75" (Single Unit)
193mm x 133mm x 146mm

18.6" x 12.5" x 6.40" (Dual Unit)
472mm x 318mm x 163mm

Container Weight: 1.25lbs (Retro Unit)
2.00lbs (Single Unit)
4.60lbs (Dual Unit)

Supply Voltage Ranges: Nominal +/- 10%

Nominal Input Power: 6.5 (FAA - 120/230 VAC Units)
8.5 (TC - 120/230 VAC Units)
8.0 (FAA - 277VAC Units)
3.5 (FAA - 12-48 VDC Units)

Power Factor: >0.9 (All AC units)

Operating Temp: -40°F to +131°F (-40°C to +55°C)

