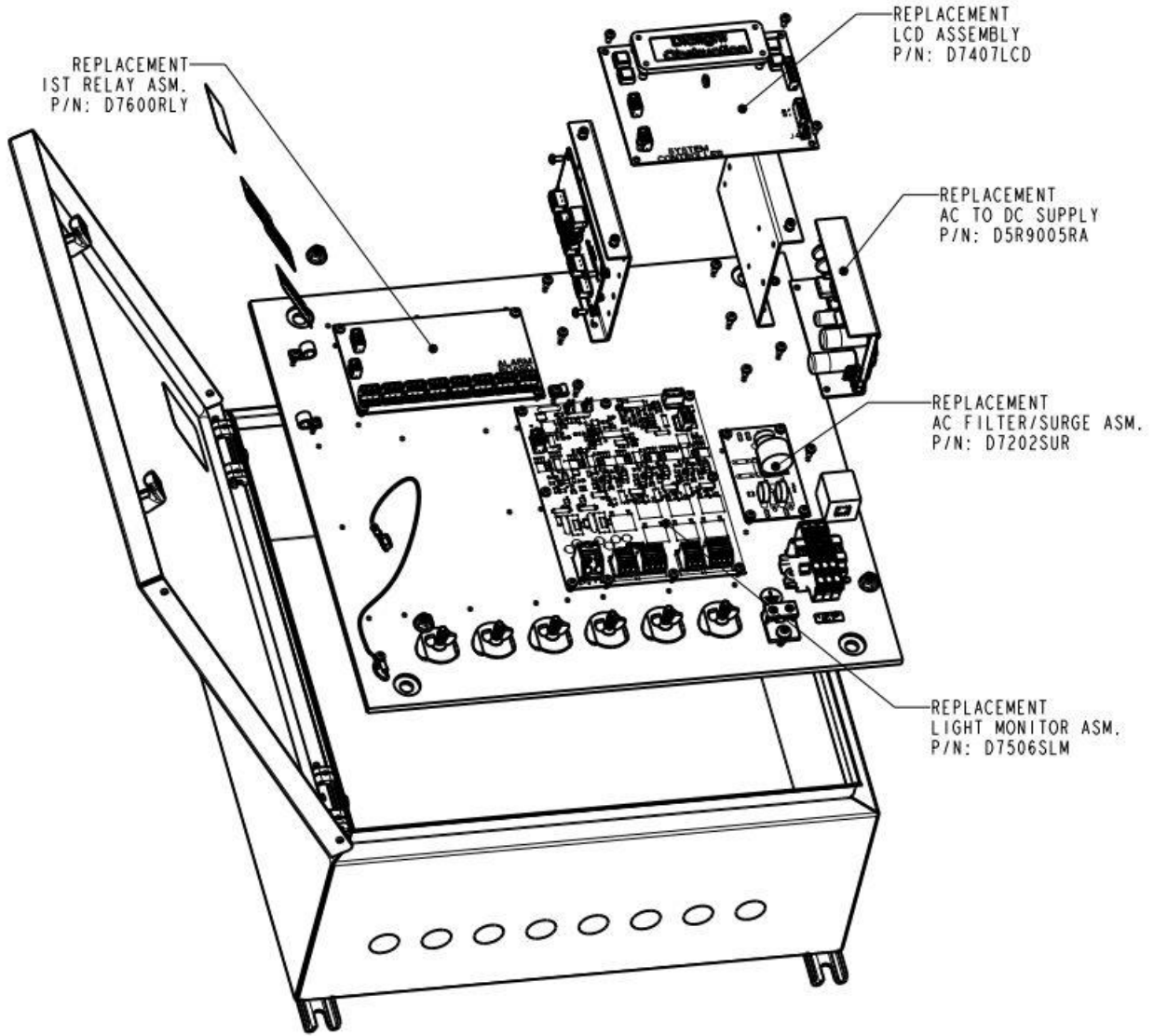
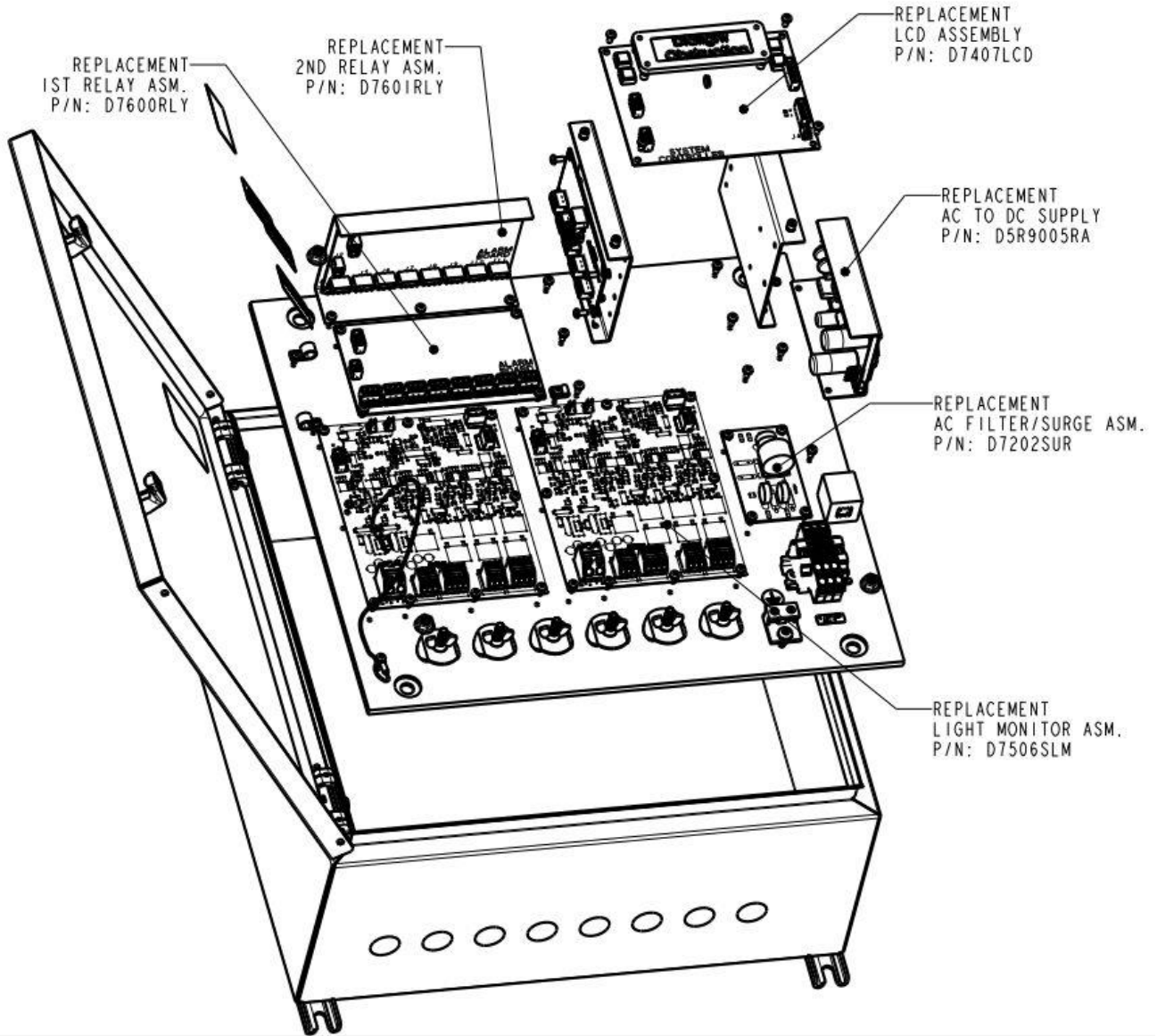


Replacement Part Numbers:

- D5RC77FCTR (A1,A1+1,A2)



• **D5RE77FCTR(A2+1,A3+1,A4)**



Controller Replacement Parts

• **D5RC77GCTR (A5,A6)**

